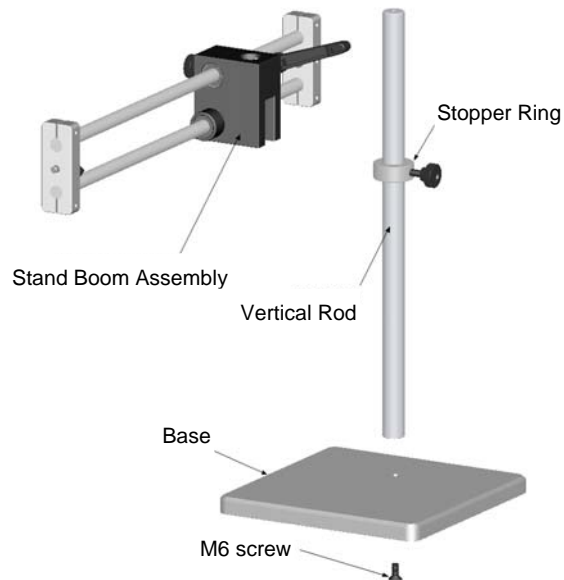
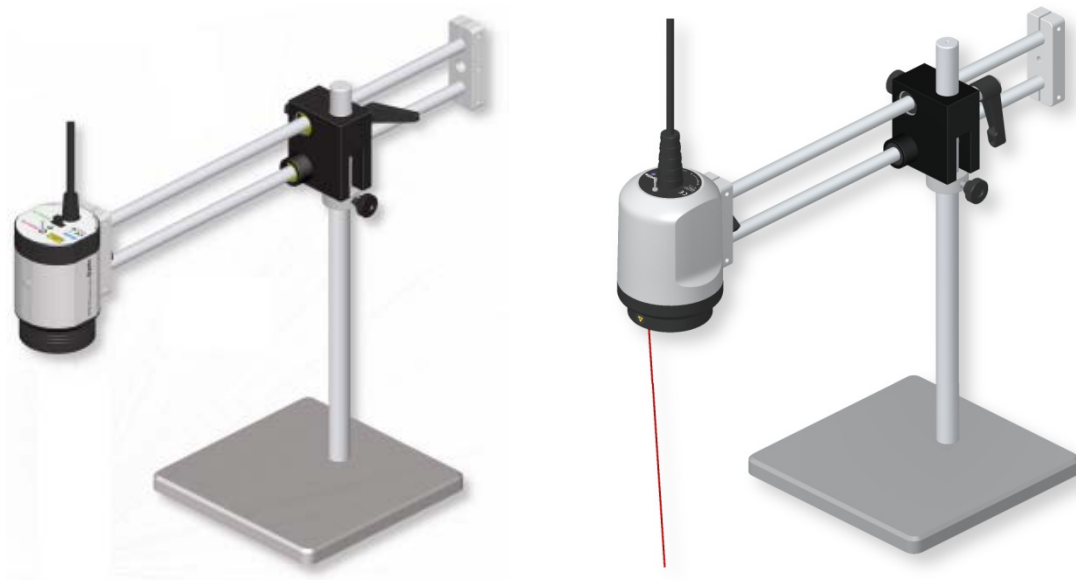


Installation instructions for Optilia HD Cameras

1. Assemble the Boom Stand according to the bellow picture.



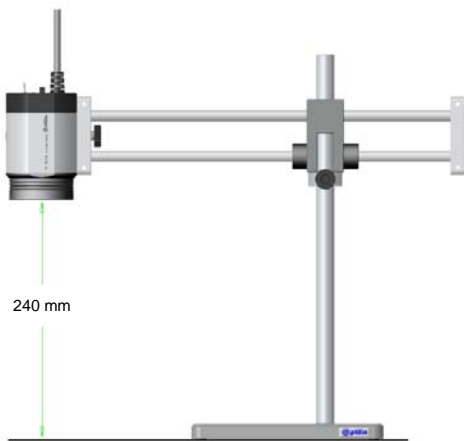
2. Put the stand on a flat and stable working bench and mount the W10x-HD/W20x-HD camera onto the horizontal Boom.



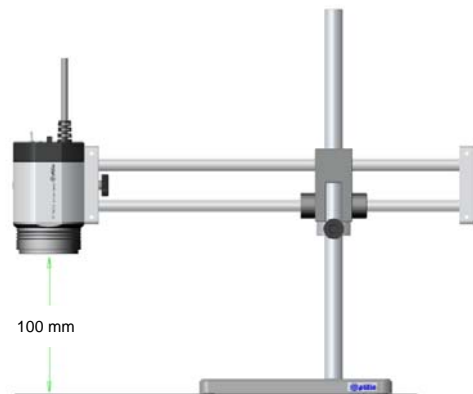
3. Adjust height of the Boom for approximately 245mm Working distance measured from front edge of the camera. HD cameras with standard optics has a focusing interval of approximately 190-245mm. Auto focus will not function properly outside this range.
4. Working distance of the camera needs to be decreased according to the bellow table if close-up lenses are attached:

No.	Lens	Working distance range
1	Standard lens (no additional Close-up)	~ 245-190 mm
2	+5 Close-up lens (f=200mm)	~ 103 to 90 mm
3	+10 Close-up lens (f=100mm)	~ 61 to 54 mm

Note: Working distances are measured from front edge of the camera without UV-filter.

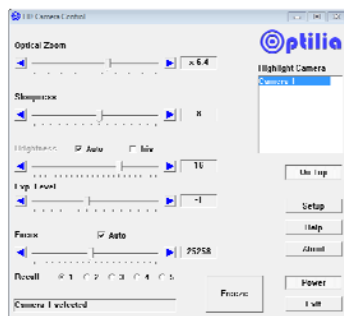


Standard Working Distance without extra lenses



Working Distance with +5 Close-up lens

- Connect the camera to Y/Pb/Pr Component Video inputs of a FULL HD monitor or TV, attach the power supply and connect to COM (or USB) port of your PC or laptop via provided Y-cable. Select and set input of your monitor to Component video.
- If you have ordered a Control Unit, please refer to instructions manual of this device for how to proceed.



Camera Control Software interface



Camera Control Unit (Optional)

- Install Optilia HD Camera Control software onto your computer.
- Turn on the HD Camera and start the Control software. Select the camera (Highlight camera) in order to establish the communication.