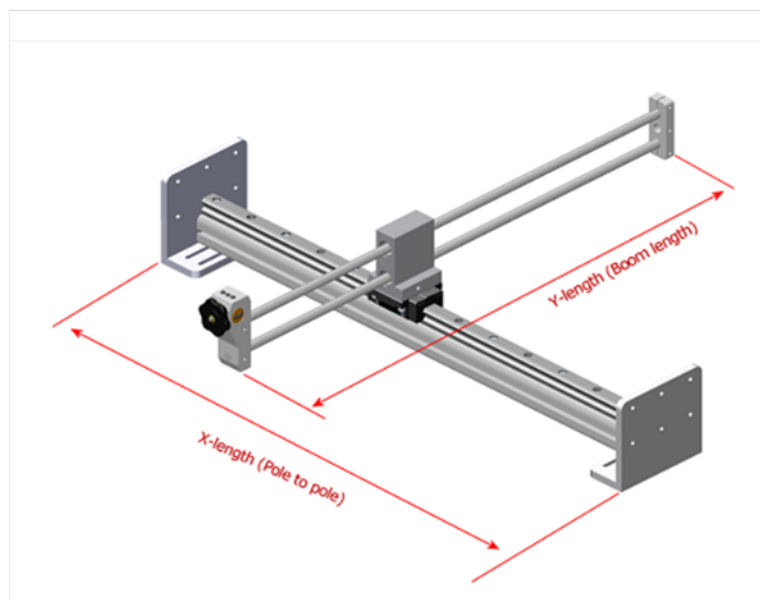
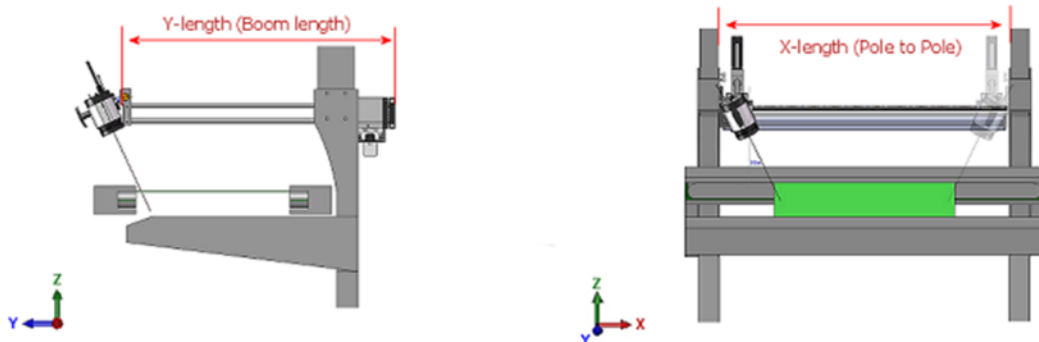


Length specification for In-line XY-stands

Product No. OP-006 333 and OP-006 342

Sizes of the In-line XY-stands are made according to your specification. Please fill in the below table and return the document to Optilia along with your order.



Distance:	mm
X-length: Pole to Pole length of the rail including L- brackets	
Y-length: Total length of the boom	

Note: Camera travel is less than X- and Y-length specified above.

Travel range in X direction (side-ways) is X minus 120mm.

Travel range in Y direction is Y minus 100mm.